

High Definition Digital Set Top Box



GSTB3103HD

The Gold Technical Support Line: 1902 215 259
Personal Product Support
(Charges will apply at \$2.95 per minute)

GRUNDIG

Introduction

Thank you for buying this Grundig product, which is designed to give you many years of trouble-free service.

You may already be familiar with using a similar unit, but please take time to read these instructions. They are designed to familiarize you with the unit's many features and to ensure you get the very best from your purchase.

Safety is important

Your safety and the safety of others is important.

Please therefore, ensure you read the "Safety Instructions" **before** you operate this unit.

Warranty

In the unlikely event that your product fails to work normally, please call the below Grundig warranty number for support.

Australia

Grundig Warranty: 1800 509 394

New Zealand

Grundig Warranty: 0800 450 259

Table Of Contents

Introduction	1
Safety instructions	3
About the Set-Top-Box	4
Front panel and rear panel illustration	5
Front Panel.....	5
Rear Panel.....	5
Remote control	6
Installing the batteries	7
Connecting to equipments	8
First time installation	11
Basic operations	12
Main menu	15
Menu Tree.....	16
Installation	17
Auto Scan	17
Manual Scan	17
Program edit	19
System setup	20
A/V Output Settings.....	20
Local Time Setting.....	20
System Information.....	20
Factory Default.....	20
User preferences	21
OSD Language.....	21
OSD Transparency.....	21
CH Info Bar Time Out.....	21
Volume Bar Time Out.....	21
Parental Control.....	22
Trouble shooting	23
Technical specifications	24
Warranty	25

Safety Instructions

- Always read the safety instructions carefully.
- Keep this User's Manual for future reference.
- Keep this equipment away from humidity.
- Lay this equipment on a reliable flat surface before setting it up.
- Do not stand it on soft furnishings.
- If any of the following situation arises, get the equipment checked by a service technician:
 - The equipment has been exposed to moisture.
 - The equipment has been dropped and damaged.
 - The equipment has obvious sign of breakage.
 - The equipment has not been working well or you cannot get it work according to User's Manual.

Warning

- To prevent the risk of electric shock, do not open the cover or the back of the receiver.
- Do not block the ventilation holes of the device. Leave appropriate gap above and around it to allow for adequate ventilation.
- Do not place the device in an unventilated cabinet or on top of a unit which emits heat.

Copyright Statement

No part of this publication may be reproduced in any form by any means without the prior written permission. Other trademarks or brand names mentioned herein are trademarks or registered trademarks of their respective companies.

Disclaimer

Information in this document is subject to change without notice. The manufacturer does not make any representations or warranties (implied or otherwise) regarding the accuracy and completeness of this document and shall in no event be liable for any loss of profit or any commercial damage, including but not limited to special, incidental, consequential, or other damage.



This symbol indicates that this product incorporates double insulation between hazardous mains voltage and user accessible parts. When servicing use only identical replacement parts.

Warning: To reduce the risk of fire or electric shock, do not expose this unit to any liquids or extreme heat.

About the Set Top Box

This DVB-T TV Receiver is a Free-To-Air digital terrestrial receiver, allowing you to access all free-to-air digital terrestrial TV channels and radio broadcasts on your TV set. Its digital reception covers VHF & UHF band. Compared with the analog TV programs, digital TV programs eliminate the noise and interference but offer high quality video and audio. An on-screen initial installation guide is provided so that you can easily start to enjoy watching the programs. In addition, a fully featured remote control is included that offers you access to every feature with a simple press of a button.

Main Features

- Fully compliant with Australian DVB-T standards
- Full MPEG2 ISO/IEC 13818 transport stream compliant audio/video decoding
- Bandwidth of 7MHz supported
- COFDM demodulator
- Automatic/manual channel search
- Channel edit, moving and deletion
- Parental lock control
- EPG (Electronic Program Guide) and teletext function (where available)
- RS-232 serial port for software upgrade
- Tuner RF in/loop through
- Dolby R Digital 5.1 Channel Surround Sound
- Component/S-Video/Digital Audio via coaxial & optical output
- HDMI output
- Full function remote control

Package Contents

Before installation, please check the items of the package. The package should contain the following items:

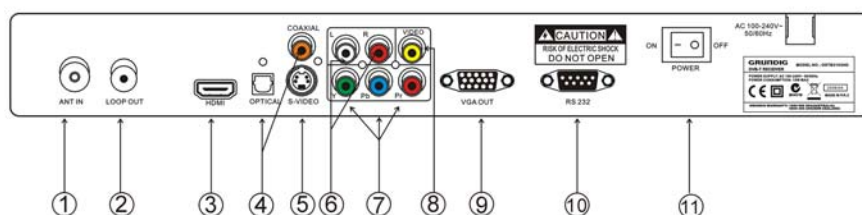
1. Digital Set Top Box receiver.....x 1 pcs
2. Remote control.....x 1 pcs
3. AA size battery for the remote control.....x 2 pcs
4. Instruction manual..... x 1 pcs
5. YPbPr cable.....x 1 pcs
6. CVBS cable.....x 1 pcs

Front panel and rear panel illustration

Front Panel



- ① **POWER** To turn the Stand-by mode ON/OFF.

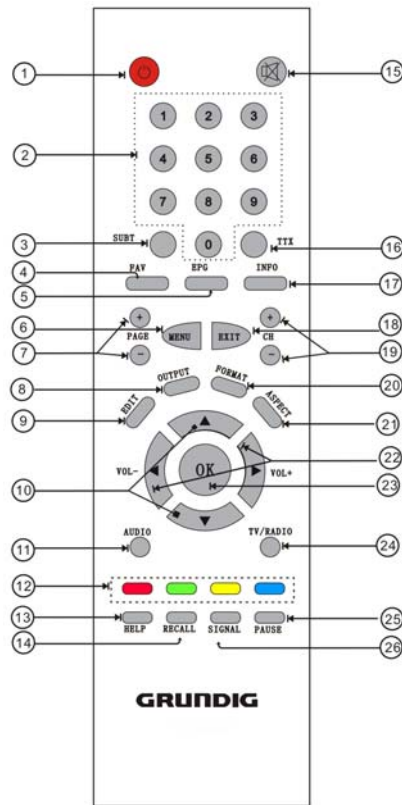


Rear Panel

- ① **ANT IN** To connect the antenna here.
- ② **LOOP OUT** To connect a RF signal from the STB to either the RF Input jack (antenna) on your VCR or to the antenna input of your TV.
- ③ **HDMI** video output used to connect to your HDMI device.
- ④ **OPTICAL/COAXIAL** Digital audio output.
- ⑤ **S-VIDEO** Y/C output for a S-VHS or Hi-Fi Video Recorder.
- ⑥ **AUDIOL/R** Audio output to connect to your TV.
- ⑦ **YPbPr** High definition video output to connect to your TV.
- ⑧ **VIDEO** CVBS output to connect to your TV.
- ⑨ **VGA** Video output to connect a VGA display monitor.
- ⑩ **RS-232** Serial port for software upgrade.
- ⑪ **POWER** Switch ON/OFF.

Remote control

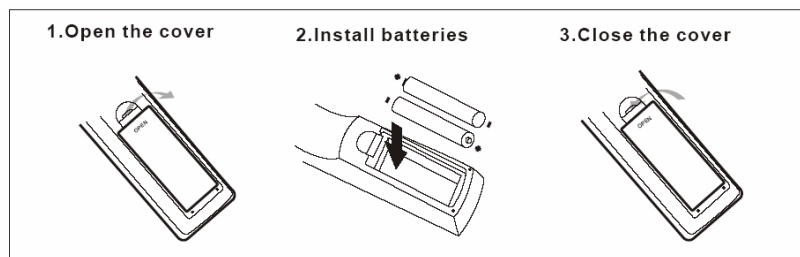
1. **POWER** To turn the Stand-by mode ON/OFF.
2. **Numeric buttons (0-9)** To select a channel by direct number input.
3. **SUBT** To switch the close caption ON/OFF.
4. **FAV** To access and exit the favourite program list.
5. **EPG** To provide the user with TV programming information.
6. **MENU** To enter into the main menu, Press again to exit to previous menu.
7. **PAGE +/-** To move the page up (+) and page down (-)
8. **OUTPUT** To switch the output mode of HD between YPbPr and VGA.
9. **EDIT** To edit the properties of the current program.
10. **▲▼** To change the program upward / downward.
11. **AUDIO** To display the Audio info of the selected program.
12. **Colour keys** To assist in the operation of the unit.
13. **HELP** The function of this button is not available on this model.
14. **RECALL** To return to view the previous program.
15. **MUTE** To mute or recover the sound of the receiver.
16. **TTX** To switch the teletext service ON/OFF.
17. **INFO** To display the current program information.
18. **EXIT** To cancel operation or exit the menu directly.
19. **CH+/-** To change the program upward / downward.
20. **FORMAT** To switch the different resolution (1080i, 720P, 576P supported).
21. **ASPECT** To toggle among 16:9 full screen, 16:9 letter box, 4:3 full screen, 4:3 letter box, 4:3 panscan.
22. **◀▶** To control the level of the volume.
23. **OK** To confirm the selected menu item / to open the program list.
24. **TV/RADIO** To switch the program between TV and Radio.
25. **PAUSE** To pause the current program when pressed and continue playing the program at its current point when pressed again.
26. **SIGNAL** To show the quality / level of signal.



Installing the batteries

Remove the battery cover from the remote control and put two AA size batteries inside the compartment.

The diagram inside the battery compartment shows the correct way to install the batteries.



Caution:

1. Keep batteries out of children's reach.
2. Don't attempt to recharge, short-circuit, disassemble, heat or throw the batteries into the fire.
3. Always replace both batteries at the same time. Never mix new and old batteries or batteries of a different type.
4. If you don't intend to use the remote controller for an extended period, remove the batteries to prevent possible leakage and corrosion.
5. Do not drop, apply shock or step on the remote control.
6. Do not spill water on the remote control.

Note: If the receiver does not operate when operating the remote control from a close range, you need to replace the batteries.

Using the Remote Control

1. To use the remote control, point it towards the front of the digital set top box.
2. The remote control has a range of up to 7 metres from the set top box at an angle of up to 60 degrees.
3. The remote control will not operate if its path is blocked.

Note: Sunlight or very bright light will decrease the sensitivity of the remote control.

Connecting to equipments

How to get good reception

- In general you are not required to change the existing antenna. However if your antenna is not in good condition you should consider replacing them to ensure uninterrupted digital television viewing.
- Viewers in areas of poor analog reception may need specialists' advice about antenna requirements for digital reception in their area.
- It's recommended that viewers use quad shielded cable from the antenna to the television.

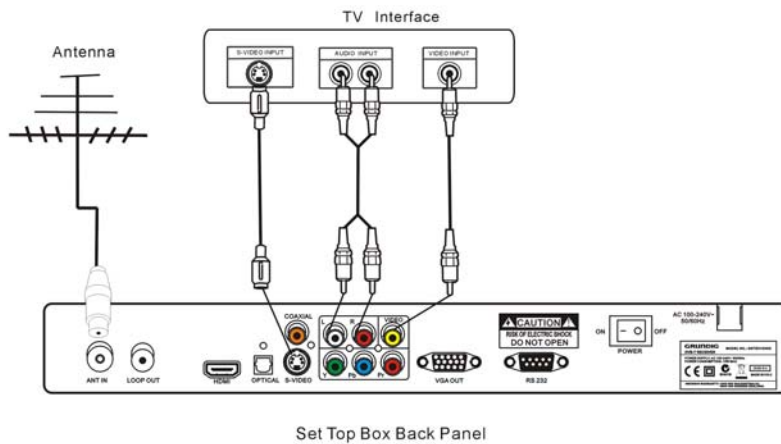
Connections to a TV

There are several ways of connecting your STB receiver to the TV and Hi-Fi System. For high definition viewing your TV must support either 576p, 720p, 1080i resolution. Also the connection between the STB receiver and TV must be YPbPr component, VGA, or HDMI. Other connection will provide standard definition viewing.

Warning

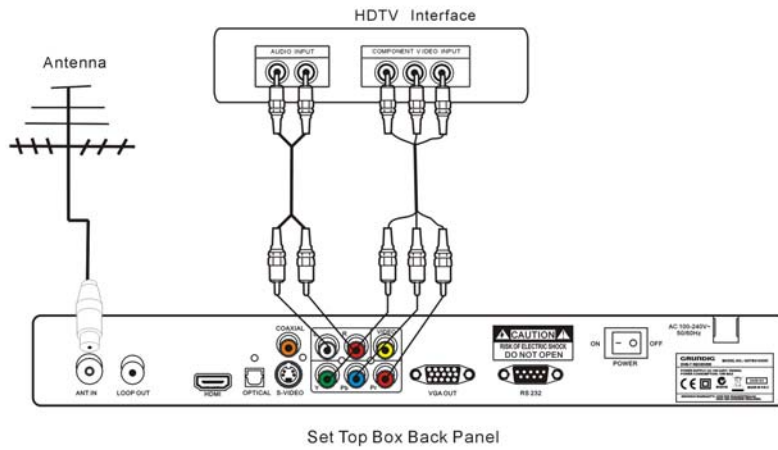
Please switch OFF the mains power before plugging or unplugging connection cables, otherwise, it may damage this receiver!

Connect the STB receiver via Video/S-Video and Audio (for standard definition viewing)

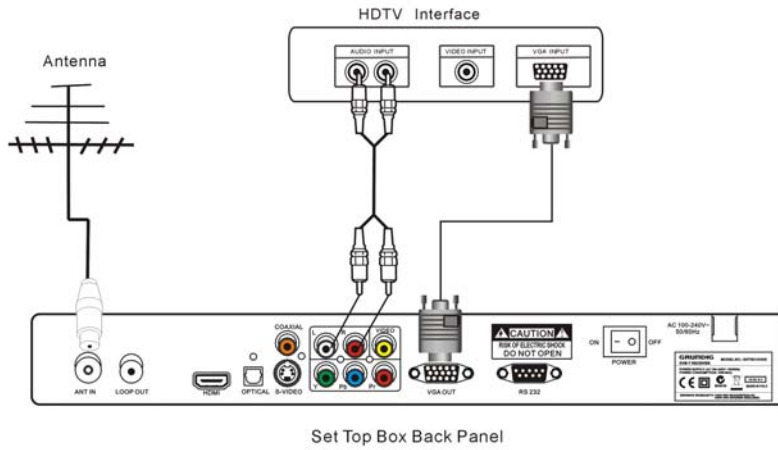


Connecting to equipments

Connect the STB receiver via YPbPr output and Audio output
(for high definition viewing)

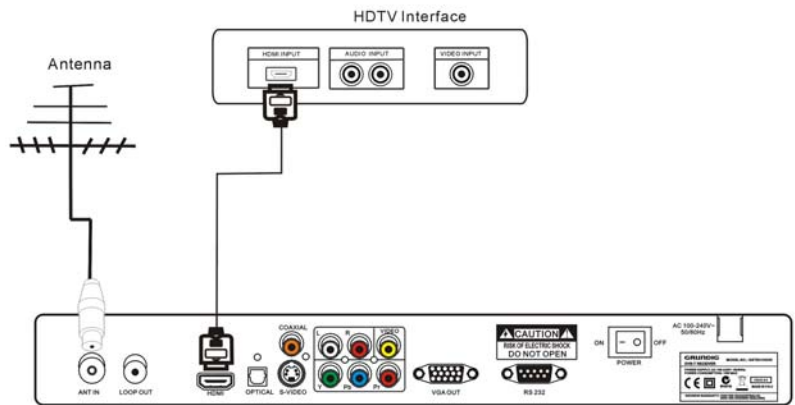


Connect the STB receiver via VGA output and Audio output
(for high definition viewing)



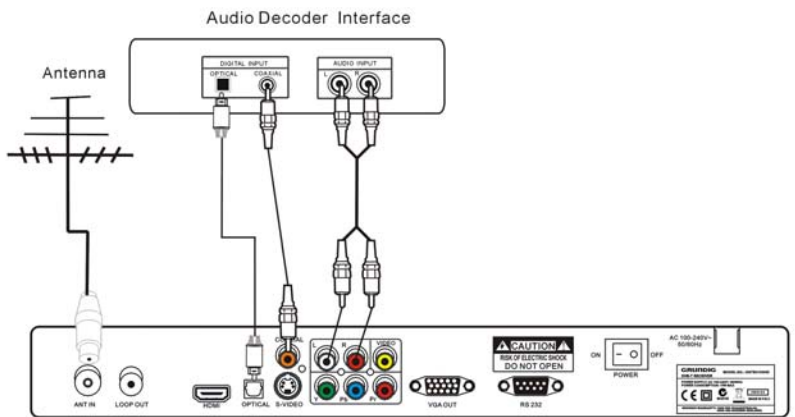
Connecting to equipments

Connect the receiver via HDMI output (for high definition viewing)



Set Top Box Back Panel

Audio connections via Optical/Coaxial/Mixed Audio L/R Output



Set Top Box Back Panel

First time installation

Note: Be sure to turn on the main power at the rear of your receiver before using the receiver.

After all the connections have been made properly, switch on your TV. Make sure the receiver is connected to the mains and press **Power** to switch the receiver on. If you are using the receiver for the first time or restored to factory default, a **First Time Installation** menu will be displayed to guide you through the initial setup to set the time zone, the daylight saving, the TV screen type and scan channels. Use the remote controller to finish the setup.



When finished the scanning, all active channels found will be stored automatically. The last found channel will be viewed. (In case you want to stop the scanning, press the **EXIT** key to exit. The channels already found will be stored.)

Now you are ready to watch digital terrestrial TV channels and radio broadcasts.

In case you skip the **First Time Installation** screen, you can press **MENU** key to bring up the main menu (please refer to page 15 for operation guidance).

Basic operations

Switch program

1. Press the **NUMERIC** keys (0~9) on the remote control to select the channel number you want.
2. Press the **▲▼** key on the remote control or the front panel to change the available channels upward/downward.
3. Press the **RECALL** key to view the previous channel selected.

Volume control


1. Press the **◀▶** key on the remote control or front panel to adjust the volume. The following volume bar will appear on screen.



Mute

1. Press the **MUTE** key to temporarily stop the sound.
2. To cancel mute, press the **MUTE** key again or press **◀▶** key.

Freezing picture

1. Press **PAUSE** key to pause current program and the pause icon  will appear on screen.
2. To cancel pause and continue to play, press again the **PAUSE** key and the pause icon will disappear.

Change an audio language and audio mode

Press the **AUDIO** key on the remote control to select the audio control menu, press the **◀▶,▲▼** and **OK** keys to select an audio language you want. Press **EXIT** key to exit the menu.

NOTE: the Languages depend on the program providers.

Change screen aspect

Press **Aspect** key to switch screen aspect mode (16:9 full screen, 16:9 letter box, 4:3 full screen, 4:3 letter box, 4:3 panscan).

Change video resolution

Press **Format** key to set the video resolution mode (1080i, 720P, 576P).

NOTE: this receiver is default set to 1080i.

Basic operations

Change video output mode

Press **OUTPUT** key to select the matched video monitor between YPbPr and VGA.

Change TV/Radio mode

Press **TV/Radio** key to change the program list mode between TV and Radio.

View program info

1. Press **INFO** key to view the detailed information of current program.
2. Press **INFO/ EXIT** to exit view.

Subtitle

Press **SUBT** key to switch subtitle on/off.

NOTE: the subtitle depends on the program providers.

Teletext service

1. Press **TTX** key to open a teletext page (if the teletext is transmitted).
2. Press **EXIT** key again or press **EXIT** key to close the teletext.

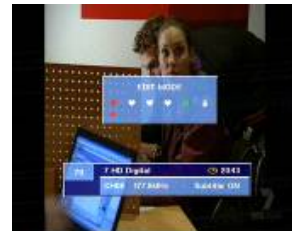
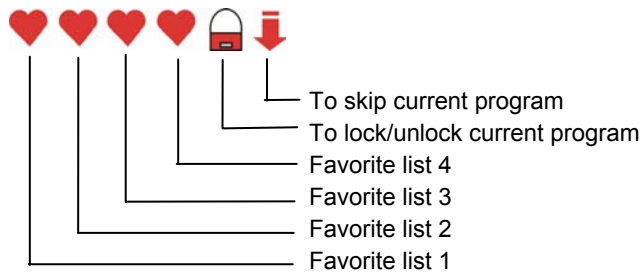
View signal info

1. Press **SIGNAL** key to view the signal level and quality of the current program.
2. Press **EXIT** or **SIGNAL** key to exit.

Quick edit of current program

1. Press **EDIT** key to show the edit mode.
2. Press **◀ ▶** to select the desired option.
3. Press **OK** key to confirm.
4. Press **OK** key again to cancel.
5. Press **EXIT** or **EDIT** key to exit the menu.

There are 6 options available for your quick edit.



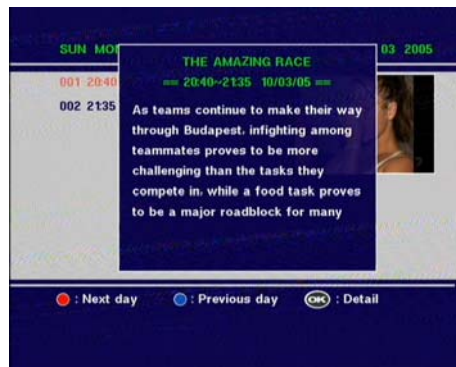
Basic operations

EPG (Electric Program Guide)

1. Press **EPG** key to view the EPG information that are provided by the content providers.
2. Press **▲▼** key to view the event information such as event name, event time.



3. Press **OK** key to view the detailed information of the current event.



4. Press **RED** key to view the event information of the next day, press **BLUE** key view the event information of the previous day.
5. Press **EPG** key again or press **EXIT** key to exit the menu.

Main menu

This section guides you to walk through of all options on the Menu screen.

Navigation in the main menu

1. Press **MENU** key to bring up the main menu or return previous.
2. Press **▲▼** key to move upward/down to the desired sub menu.
3. Press **OK** key to enter into the sub menu you select.
4. Press **EXIT** key to exit the main menu.

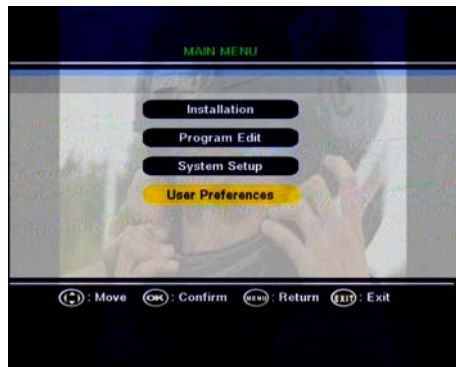
The main menu is divided into 4 sections, please refer to the menu tree in the next page.

Installation

Program Edit

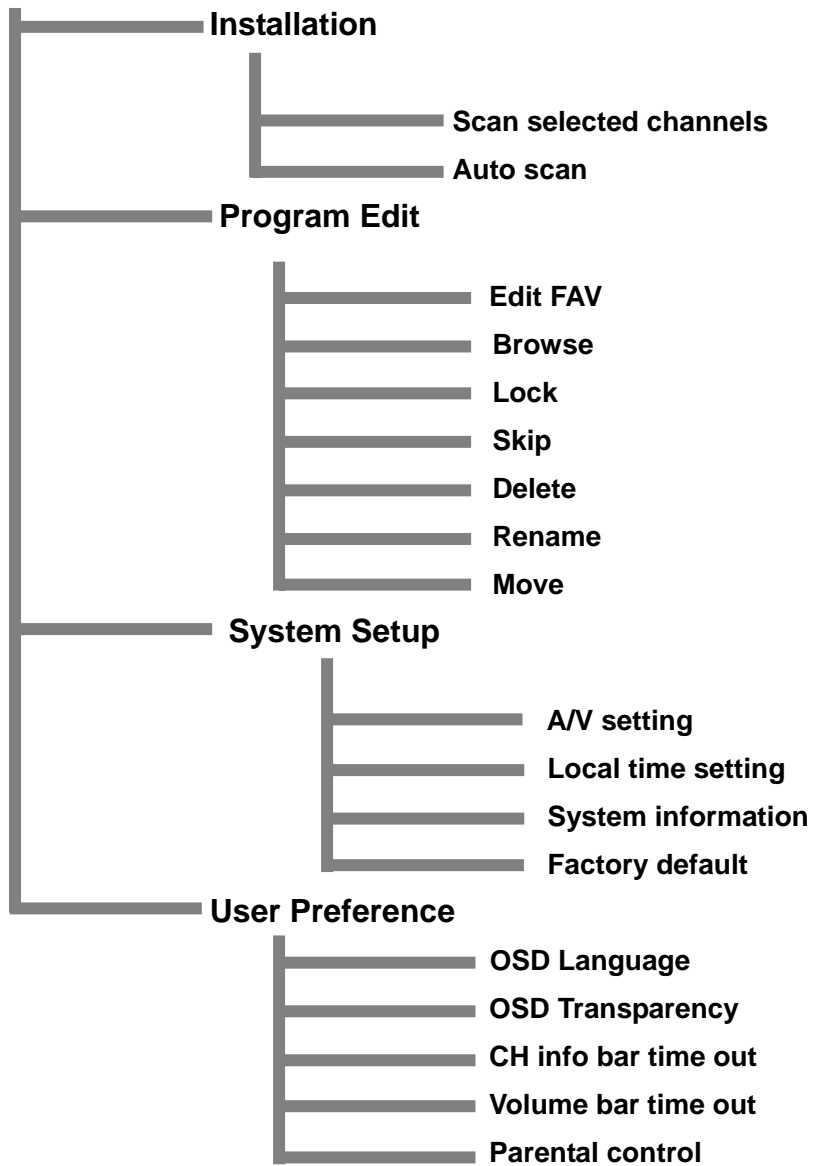
System Setup

User Preferences



Main menu

Menu Tree



Installation

Auto Scan

1. Go to Main menu > Installation.
2. Press **BLUE** key to auto scan all the channels.
3. Press **EXIT** key if you want to stop during the auto scan.



Manual Scan


1. Go to Main menu > Installation.
2. Press **▲▼** to select the channels you want to scan. Press **◀▶** key to page up/down.
3. Press **OK** key to select the channel, press again to cancel your selection. If the channel is selected, an icon "YES" will appear.
4. Repeat step 2, 3 to select other channels.
5. Press **RED** key to start scanning the selected channels.
6. Press **EXIT** key if you want to stop during the scan.



Program edit


NOTE: If there is no program stored, you can not access the edit menu.

Edit Favourite

1. Go to Main menu > Program edit > TV or Radio list.
2. Press **YELLOW** key to show the favorite list and then press **▲▼** key to select the desired favorite list, press **OK** key to enter favorite edit mode.
3. Press **▲▼** key to select the program you desired.
4. Press **OK** key to add the program to the favorite list you selected, a FAV icon  will appear.
5. Press **OK** key again to cancel this operation, the FAV icon will disappear.
6. Press **EXIT** key to exit all menu or press **MENU** to return to the previous menu




Lock Program

1. Go to Main menu > Program edit > TV or Radio list.
2. Press **RED** key to show a list of Edit modes. Press **▲▼** key to select the lock item.
3. Press **OK** key to enable the lock function.
4. Press **▲▼** key to select a program you desired, and press **OK** key to lock this program. A lock  will appear.
5. Press **OK** key again to cancel the operation. The lock icon will disappear.
6. Press **EXIT** key to exit all menu or press **MENU** to return to the previous menu.



Skip Program

1. Go to Main menu > Program edit > TV or Radio list.
2. Press **RED** key to show a list of Edit modes. Press **▲▼** key to select the Skip item.
3. Press **OK** key to enable the Skip function.
4. Press **▲▼** key to select a program you desired, and press **OK** key to Skip this program. A skip icon  will appear.
5. Press **OK** key again to cancel the operation. The skip icon will disappear.
6. Press **EXIT** key to exit all menu or press **MENU** to return to the previous menu.



Program edit

Delete Program

1. Go to Main menu > Program edit > TV or Radio list.
2. Press **RED** key to show a list of Edit modes. Press **▲▼** key to select the delete item.
3. Press **OK** key to enable the delete function.
4. Press **▲▼** key to select the program you dislike, and press **OK** key to mark this program. A cut icon **✂** will appear.
5. Press **OK** key again to cancel the operation. The cut icon will disappear.
6. Press **EXIT** key to exit all menu or press **MENU** to return to the previous menu.



Rename

1. Go to Main menu > Program edit > TV or Radio list.
2. Press **RED** key to show a list box of all Edit modes. Press **▲▼** key to select the Rename item.
3. Press **OK** key to enable the rename function.
4. Press **▲▼** to select a program you want to rename, and press **OK** key to enter the Name Edit Menu. A keyboard will show on the screen.
5. Press **▲▼ ◀▶** to select the letters and press **OK** key to confirm. Press **YELLOW** key to save and quit, press **GREEN** key to delete unwanted letters.
6. Press **EXIT** key to exit all menu or press **MENU** to return to the previous menu.

Move Program

1. Go to Main menu > Program edit > TV or Radio list.
2. Press **RED** key to show a list of Edit modes. Press **▲▼** key to select the move item.
3. Press **OK** key to enable the move function.
4. Press **▲▼** key to select a program you want to move, and press **OK** key.
5. Press **NUMERIC** key to set a new position number for the selected program.
6. Press **OK** key to confirm, the selected program will be moved to the new position.
7. Press **EXIT** key to exit all menu or press **MENU** to return to the previous menu.



Switch TV/Radio list

Press **BLUE** key to switch between the TV channel list and the radio channel list.

System setup

A/V Output Settings

1. Go to Main menu > System setup > A/V output setting.
2. Press ▲▼ key to select the options: Resolution, Video output, Screen aspect, Audio output. And press **OK** to enter submenu of selected option.
3. Press ▲▼ key to select the item you want to set, and press **OK** key to confirm.
4. Press **EXIT** key to exit all menu or press **MENU** to return to the previous menu. Resolution supported: 1080i, 720P, 576P Video output supported: YPbPr, VGA. Screen aspect supported: 4:3 Letter box, 16:9 Letter box, 4:3 Full, 16:9 Full and 4:3 Panscan. Audio output supported: MPEG, AC-3 PCM, AC-3 CD



Local Time Setting

1. Go to Main menu > System setup > Local Time Setting.
2. Press ▲▼ key to select the options: Time zone, Daylight saving, and press **OK** key to enter submenu of selected option.
3. Press ▲▼ key to select the item that you want to set, and press **OK** key to confirm.
4. Press **EXIT** key to exit all menu or press **MENU** to return to the previous menu.



System Information

1. Go to Main menu > System setup > System Information.
2. Press **OK** key to view the software/hardware Information of this receiver.

Factory Default

1. Go to Main menu > System setup > Factory default.
2. Press **OK** key and input the correct the PIN code and press **OK** key again to confirm your selection, the factory default data will be loaded.

NOTE: Factory default PIN is "0000".



User preferences

OSD Language

Go to Main menu > User preferences > OSD language.
Only English is supported for this receiver.



OSD Transparency

1. Go to Main menu > User preferences > OSD Transparency.
2. Press ▲▼ key to select the **OSD Transparency** option, and press **OK** key to enter submenu.
3. Press ▲▼ key to select the transparency value that you desire (4 transparency modes are available: 30%, 50%, 75%, 100%), and press **OK** key to confirm.
4. Press **EXIT** key to exit all menu or press **MENU** to return to the previous menu.



CH Info Bar Time Out

1. Go to Main menu > User preferences > CH Info Bar Time Out.
2. Press ▲▼ key to select the **CH Info Bar Time Out** option, and press **OK** key to enter submenu.
3. Press ▲▼ key to select the timeout that you desired (4 timeout modes are available: 1 second, 3 second, 5 second, 10 second), and press **OK** key to confirm.
4. Press **EXIT** key to exit all menu or press **MENU** to return to the previous menu.

Volume Bar Time Out

1. Go to Main menu > User preferences > Volume Bar Time Out.
2. Press ▲▼ key to select the **Volume Bar Time Out** option, and press **OK** key to enter submenu.
3. Press ▲▼ key to select the timeout that you desired (4 timeout modes are available: 1 second, 3 second, 5 second, 10 second), and press **OK** key to confirm.
4. Press **EXIT** key to exit all menu or press **MENU** to return to the previous menu.

User preferences

Parental Control

1. Go to Main menu > User preferences > Parental control.
2. Press ▲▼ key to select the Parental Control option, and press OK key and input the correct the PIN code to enter the submenu.

1. Parental Rating

To set the rating level.

There are up to 8 levels are available.

ALL: All programs are blocked

G: General

PG: Parental guidance

M: Mature audience, 15+ year old

MA: Mature adult audience 15+ year old

AV: Adult audience, strong violence, 15+ year old

R: Restricted, 18+ year old

None: No program is blocked.



2. Installation Menu

To lock/unlock the Installation Menu

3. Channel Edit Menu

To lock/unlock the Channel Edit Menu

4. Setup Menu

To lock/unlock the Setup Menu

5. User preferences Menu

To lock/unlock the User preferences Menu

6. Change Password

To modify the user's password

NOTE: Factory default password is "0000".

If you forgot your password, please input the override code 7710 to unlock.



Trouble shooting

If you experience problems with this receiver or its installation, in the first instance please read carefully the relevant sections of this User Manual and this Troubleshooting section.

Problem	Possible cause	What to do
Display on front panel not lit	Main lead unplugged	Check mains lead
	Main fuse blown	Check fuse
No signal found	Aerial is disconnected	Check aerial lead
	Aerial is damaged/misaligned	Check aerial
	Out of digital signal area	Check with dealer
No picture or sound	Program not broadcasting now	Retune to another channel
Mosaic blocks in picture or picture freezes	Aerial may not be compatible	Check aerial
Scrambled channel message	Channel is scrambled	Select an alternative channel
Forgotten channel lock code		Use the override code "7710" to unlock
No response to remote control	Receiver off	Plug in and turn on receiver
	Handset not aimed correctly	Aim handset at front panel
	Front panel obstructed	Check for obstructions
	Remote control batteries are inserted incorrectly	Check batteries direction
	Handset batteries exhausted	Replace remote control batteries
After moving the receiver to another room, find can't receive the digital reception	The aerial feed may come through a distribution system which may reduce the digital signal now received by the receiver	Try a direct feed from the antenna

Warning: If this doesn't work, contact a qualified repair technician, never attempt to repair the receiver yourself.

Technical specifications

Item		Specification
Tuner	Frequency Range	VHF: 174MHz to 230MHz UHF: 470MHz to 862MHz
	Input Impedance	75Ohms unbalanced
	Signal Input Level	-78~-25dbm
	Bandwidth	7MHz
Demodulation	Demodulator	COFDM
	OFDM Modulation	2K, 8K FFT, SFN and MFN
	Packed Carries	2K/8K
	Guard Interval	1/4, 1/8, 1/16, 1/32
Connectors	RF IN	IEC 169-2 female connector
	RF Loop Through	IEC 165-2 male connector
	Y, Pb/Cb, Pr/Cr	RCA for component video output
	L/R	RCA, Analog audio output
	S-Video	4-Pin mini-DIN Connector
	Coaxial	RCA, for SPDIF digital audio output
	HDMI	1.0 Version
	RS-232	DB-9 male serial port, for software upgrade
Power supply	Input	100-240V~50/60Hz
	Consumption	10W max.
Display	Decoder Module	PAL
	Resolution	1920X1080i, 1280X720p, 720X576p, 720X576i
	Aspect Ratio	4:3(Letterbox, full), 16:9,Panscan
Decoding	Video	MPEG2 Transport <u>MP@HL</u>
	Audio	MPEG2 Audio Layer I&II
Others	Compliance	ETSI EN 300 744 DVB-T Compliance
	Sound Mode	Right, Left, Stereo
	Size	360*235*43mm
	Weight (Net)	1.8kg

* Specifications and design are subject to change without prior notice



This marking shown on the product or its literature, indicates that it should not be disposed with other household wastes at the end of its working life. To prevent possible harm to the environment or human health from uncontrolled waste disposal, please separate this from other types of wastes and recycle it responsibly to promote the sustainable reuse of material resources.

Warranty

Please keep your receipt as proof of purchase. This product is warranted for any defect in materials or workmanship for one year after the original date of purchase. This product is for normal domestic and office use only. This warranty does not cover damage from misuse or neglect, accidental damage, vermin infestation, excessive voltages such as lightning or power surges or any alternation that affects the performance or reliability of the product.

In the unlikely event that your product fails to work normally, please contact the **Grundig Warranty 1800 509 394 (Australia) or 0800 450 259 (New Zealand)** and have your receipt of purchase on hand.

This warranty is subject to the following provisions:

- It is only valid within boundaries of the country of purchase;
- The product must be correctly assembled and operated in accordance with the instructions contained in the manual;
- This product must be used solely for domestic purposes;
- The warranty does not cover accidental damage;
- The warranty will be rendered invalid if the product is resold or has been damaged by inexpert repair;
- The manufacturer disclaims any liability for incidental or consequential damaged.

This warranty is in addition to, and does not diminish, your statutory or legal rights.

PO BOX 6287
Silverwater NSW 1811
www.grundig.net.au

Grundig Warranty: 1800 509 394 Australia
Grundig Warranty: 0800 450 259 New Zealand

PO BOX 6287
Silverwater NSW 1811
www.grundig.net.au

ver.1 14-APR-2008